

Calibration Setup @ TCC Concepcion

Delay PPS cable from PPS distributor to BP0U: 30.9ns (measured 17.01.2011)

Delay PPS cable from PPS distributor to PolaRx2: 31.9ns (measured 28.01.2011)

Delay Antennae cable to PolaRx2: 88.2ns (measured 28.01.2011)

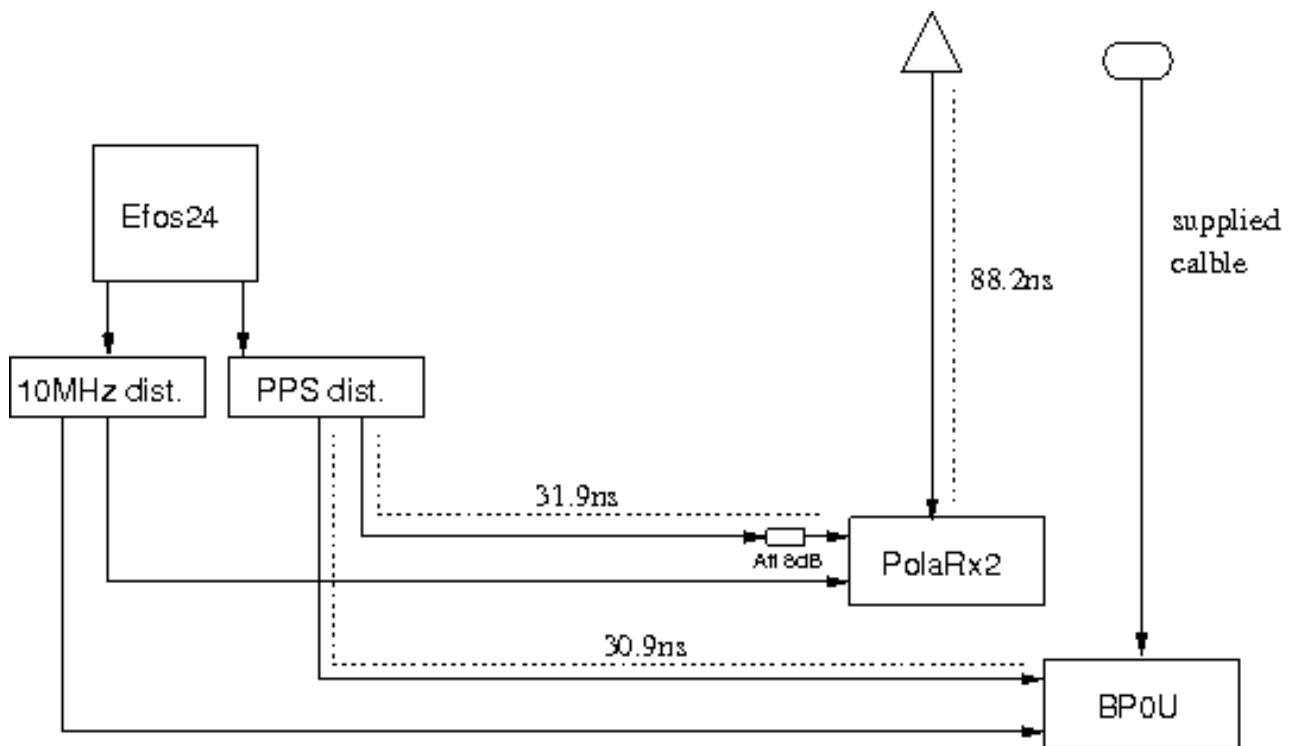


Fig.1 Calibration Setup

PolaRx2 Delay Measurement @ TCC Concepcion

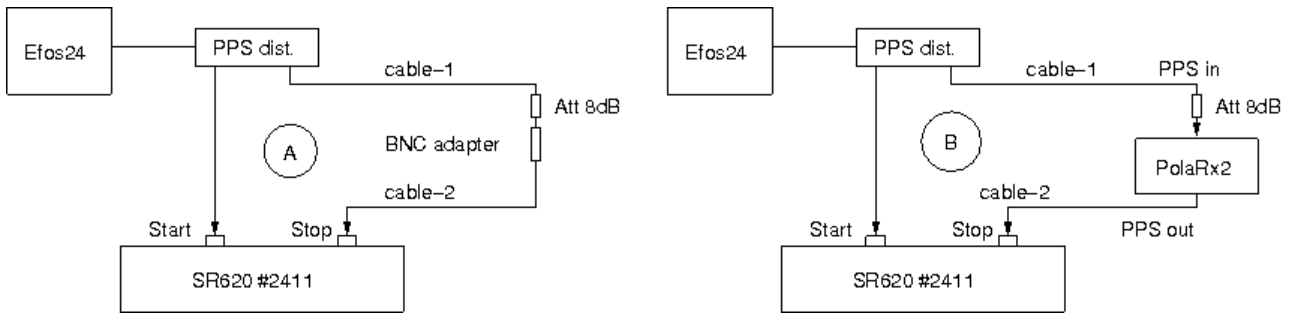


Fig.1 Measurement setup (trigger: 0.5V, imp. 50Ohm)

Table 1: Measurement results

Date, Time / UTC	dt/ns Setup A BNC adapter	dt/ns Setup B PolaRx2	dt/ns B-A
2011.01.17 18:35	10.264	243.510	233.246
2011.01.28 17:15	25.4	258.6	233.2

MasterClock ES3
1351881

In
out PPS Splitter

Start
Stop TimeInterval Counter

Stanford Research Systems
Model: SR620
S/N: 2411

ext. Ref. CS3

SwitchBoard

