

Frequency comparison VM1 – SrIOC1 For the period MJD 60554-60559

A frequency comparison of the $^{88}\text{Sr}^+$ secondary frequency standard NRC-SrIOC1 (1780301) has been made with respect to the active hydrogen maser VM1 (1400307) during the measurement campaign of MJD 60554-60559. Tab. 1 below summarizes the result as well as the associated uncertainties.

Tab. 1: Summary of results

Evaluation period (MJD)	60554 – 60559
Fractional uptime	66.09%
$y(\text{VM1} - \text{SrIOC1}) [10^{-15}]$	-91.3780
$u_A (1\sigma) [10^{-15}]$	0.0056
$u_B (1\sigma) [10^{-15}]$	0.0117
$u_{A,LAB} (1\sigma) [10^{-15}]$	0.107
$u_{B,LAB} (1\sigma) [10^{-15}]$	0
$u_{total} (1\sigma) [10^{-15}]$	0.108

Methods

The influence of systematic effects on the $^{88}\text{Sr}^+$ secondary frequency standard NRC-SrIOC1 was investigated in [1]. The effects for which NRC-SrIOC1 is corrected are:

- blackbody radiation field
- thermal motion
- quadratic Zeeman shift
- collisional frequency shift
- 1092 nm ac Stark shift
- 674 nm ac Stark shift
- 422 nm ac Stark shift
- gravitational redshift

Several other systematic effects did not produce a measurable bias, but do contribute to the overall uncertainty of SrIOC1 and are included in the uncertainty budget. A full uncertainty budget for SrIOC1 for the evaluation period of MJD 60554 – 60559 is given in Tab. 2.

For this measurement, the $^{88}\text{Sr}^+$ secondary frequency standard was operated as in [1], except that the ultrastable 674 nm laser frequency was actively de-drifted using an acousto-optic modulator in a fiber-noise cancellation scheme (Fig. 1). The synthesizer was common to two fibre phase noise

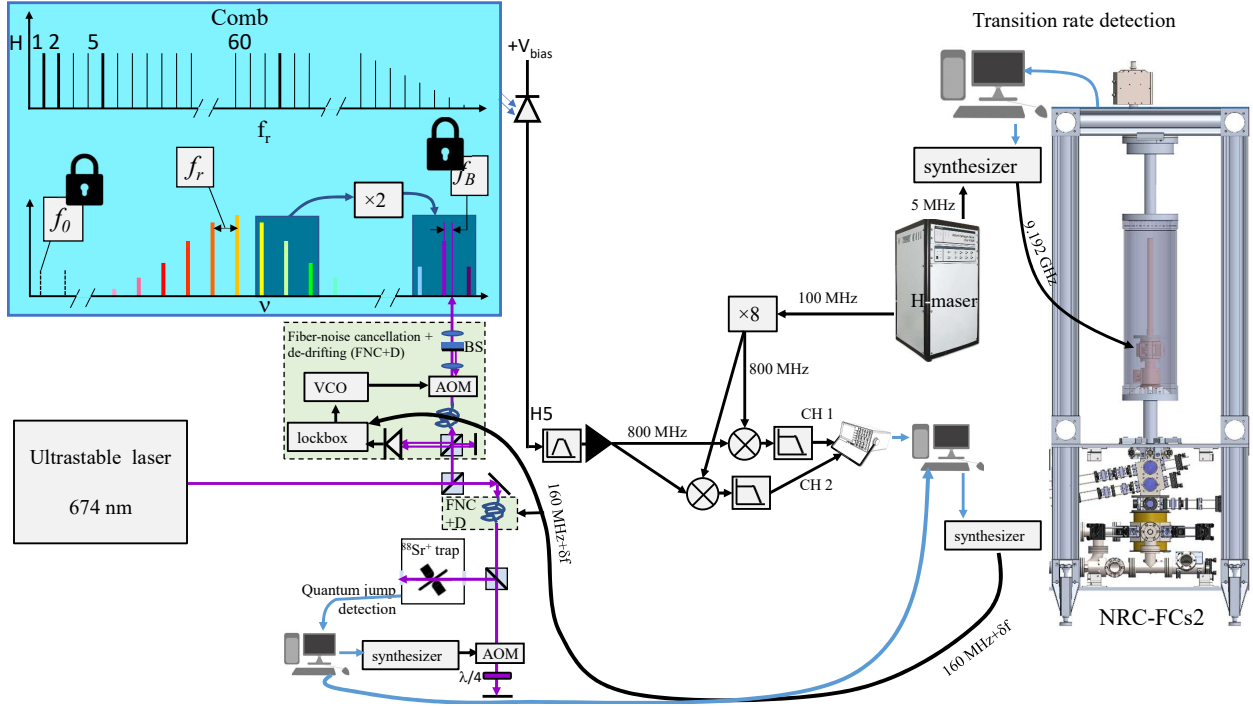


Fig. 1: Experimental setup. See text for details

cancellation arms, the frequency standard arm and the comb arm. The synthesizer was moving the lockpoint to keep constant the laser frequency reaching both the $^{88}\text{Sr}^+$ frequency standard and the frequency comb. The $^{88}\text{Sr}^+$ clock data itself was used to inform the de-drifting algorithm. Note that the dedrifting stopped for the data taken between MJD 60555.6 and 60556.3 due to computer issues. The data was deemed valid so we included it in this submission.

The type of Er-fiber polarization-maintaining optical frequency comb used here was described in [2]. The comb, with a repetition rate of 160 MHz, was phase-locked to the 674 nm de-drifted probe laser. The fifth harmonic of the repetition rate (800 MHz) was compared to the eighth harmonic of the VM1 100 MHz output in two different channels in near quadrature, ensuring that always at least one channel was in the linear region. The resulting voltage output of the double-balanced mixers was calibrated (to convert voltage into phase) and sampled every second by an oscilloscope. During the voltage to phase calibration, the comb was intentionally detuned from the nominal repetition rate (160 MHz) by a few mHz. The measured voltage followed a roughly sinusoidal shape as the relative phase at 800 MHz went through 2π radians in a few minutes. All harmonics (of the frequency detuning at 800 MHz) from the first up to the eleventh were taken into account to make the voltage to phase conversion algorithm as accurate as possible.

The ion clock itself makes 30 interrogations of the ion 4-Hz-detuned from the centre of a specific transition of $^{88}\text{Sr}^+$ first on the red side, then on the blue side. Interrogation pulses are 0.1 s each, and one spectroscopic transition is fully interrogated in 7.66 s. Three Zeeman pairs of spectroscopic transitions with line centre frequencies C_2, C_3 and C_4 were interrogated in total to cancel electric quadrupole shifts [3]. A complete clock cycle, therefore, lasts around 46 s. The $^{88}\text{Sr}^+$ clock measured the offset of the de-drifted probe laser to the centre of the electric-quadrupole-shift-removed transition.

For the analysis here, the $^{88}\text{Sr}^+$ clock data was binned in durations of 2799.1 s on average. The nominal frequency of the ion clock, after correcting for systematic effects, was assumed to be

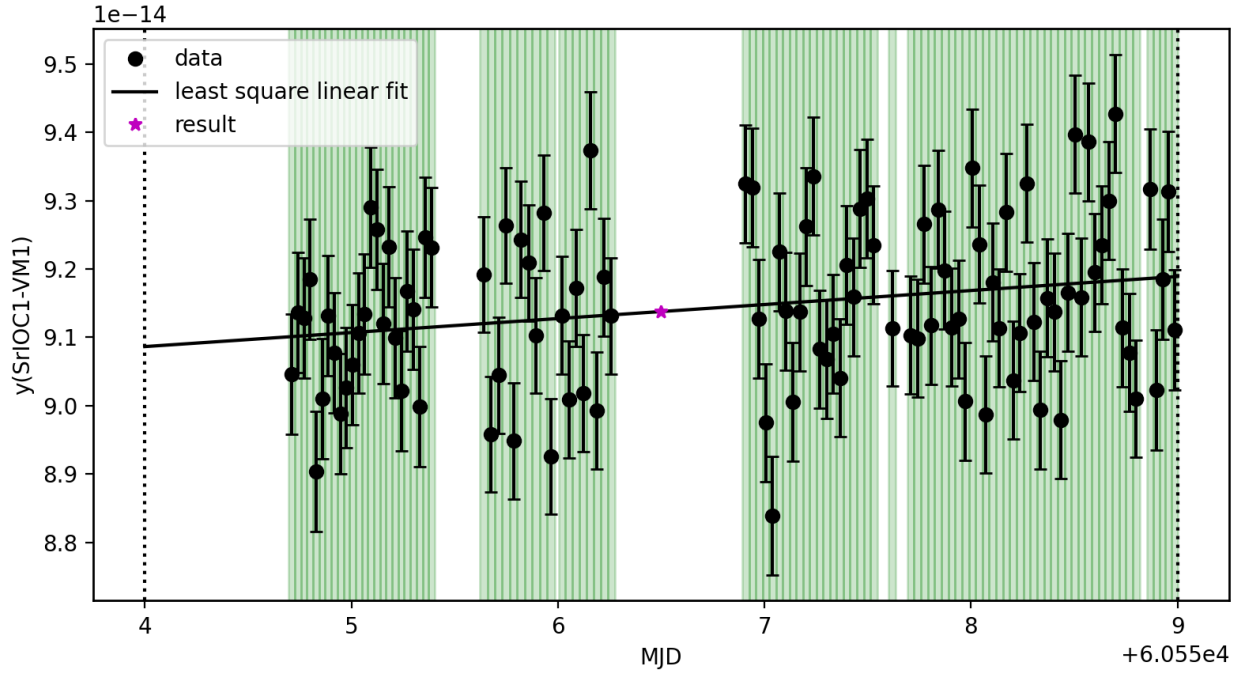


Fig. 2: $y(\text{SrIOC1-VM1})$. The up-time is the shaded green region. The linear fit and the result (magenta star) are also show.

444779044095486.3 Hz as per [4]. The fractional frequency difference $y(\text{VM1} - \text{SrIOC1})$ was calculated for every data bin. A linear regression, weighted by the time span of each bin, was used to determine the fractional frequency difference at the middle of the reporting period, MJD 60556.5 (see Fig. 2).

Uncertainties

Type A uncertainty

The typical long term stability of SrIOC1 follows $\sigma_y = 3 \times 10^{-15} / \sqrt{\tau}$ where σ_y is the Allan deviation and τ is the averaging time [1]. The reported value for type A uncertainty, u_A , is calculated from $u_A = 3 \times 10^{-15} / \sqrt{\tau} = 5.6 \times 10^{-18}$ where $\tau = 285507$ s is the averaging period.

Type B uncertainty

The exhaustive list taken from Ref. [1] is given in Tab. 2. The gravitational redshift of the clock has been corrected for the post-glacial rebound of Earth's crust measured at NRC (3.2 mm / year of positive vertical displacement) and for the optical clock height adjustment in the lab frame since the experiments in Ref. [1].

Link to local reference clock

The uncertainty of the link with our reference clock VM1, $u_{A,LAB}$, is the sum of two terms added in quadrature (Tab. 3). The first term, calculated following the procedure described in [1], is attributed

Tab. 2: Uncertainty budget of NRC-SrIOCl. All values are in fractional frequency units of 10^{-18} .

Source of shift	Shift	Uncertainty
BBR field evaluation, $\langle E^2 \rangle_T$	555	11
Collisional frequency shift	-0.045	2.6
BBR coefficient, $\Delta\alpha_0$	0	0.83
Thermal motion	-3.2	0.8
AOM chirps	0	0.2
Excess micromotion	0	0.2
Servo tracking errors	0	0.1
1092 nm ac Stark shift	-0.16	0.07
Electric quadrupole shift	0	0.03
674 nm ac Stark shift	0.04	0.02
422 nm ac Stark shift	0.006	0.006
Tensor Stark shift	0	0.005
Quadratic Zeeman shift	0.106	0.00003
Total for SrIOCl	551.7	11.4
Gravitational redshift	10453.1	2.6
Total	11004.9	11.7

Tab. 3: Link uncertainty budget of NRC-SrIOCl. All values are in fractional frequency units of 10^{-18} .

Uncertainty Source	Uncertainty
Dead time	91
Frequency comb	56
Total	107

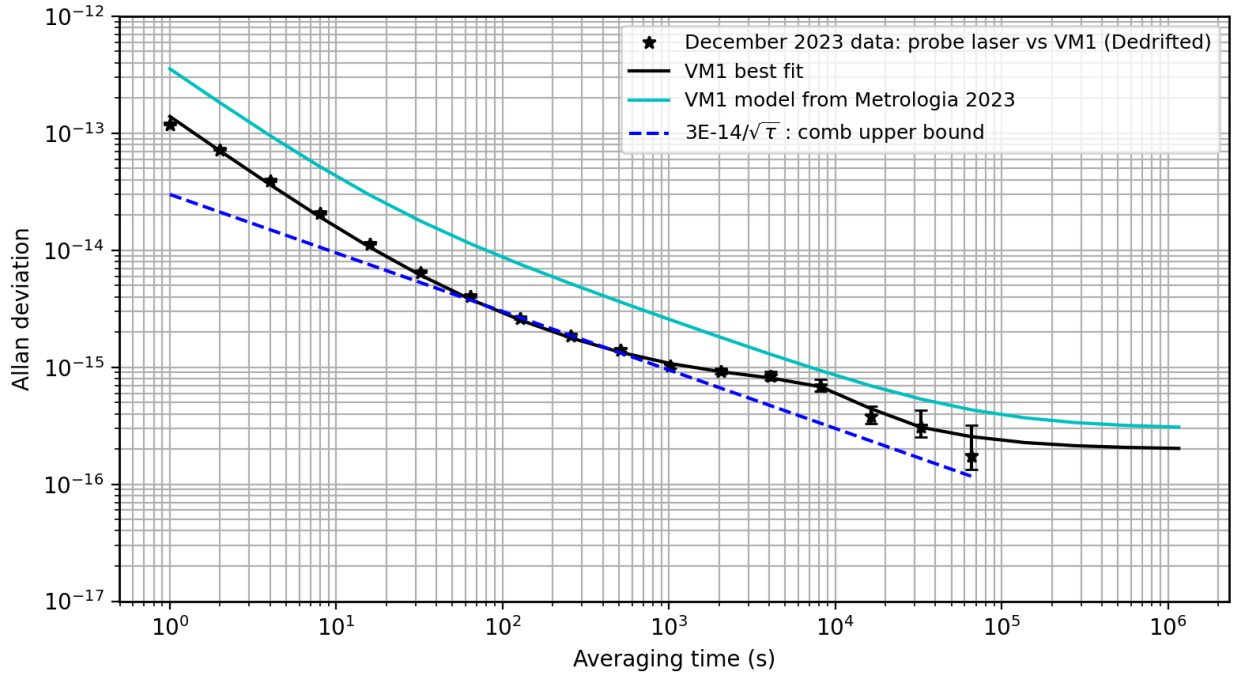


Fig. 3: Link uncertainty Allan deviation plots. The data presented here (black stars) is taken from our December 2023 submission.

to measurement dead time. It is calculated using the uptime distribution and a best fit model of the phase noise power spectral density of VM1. Fig. 3 shows the Allan deviation calculated from this best fit model of VM1 (black line). Fig. 3 also shows the Allan deviation of a phase measurement from our December 2023 submission. The second term of the link uncertainty is an upper bound for the uncertainty of the optical frequency comb and it is modeled by $3 \times 10^{-14} / \sqrt{\tau}$. This value is derived from the NRC-FCs2 stability when it is operated simultaneously using the ultrastable microwaves generated from the same optical frequency comb. Note that for the data in this report, NRC-FCs2 was operated with its regular local oscillator, the VM1 maser (see Fig. 1).

References

- [1] Bin Jian *et al.* (2023) *Metrologia* **60** 015007.
- [2] L. C. Sinclair *et al.* (2015) *Rev. Sci. Instrum.* **86** 081301.
- [3] P. Dubé *et al.* (2005) *Phys. Rev. Lett.* **95**, 033001.
- [4] Consultative Committee for Time and Frequency 2021 Recommendation CCTF PSFS 2 (2021): updates to the CIPM list of standard frequencies (available at: www.bipm.org/en/committees/cc/cctf/22-_2-2021).
- [5] P. Dubé *et al.* (2015) *Phys. Rev. A* **92**, 042119.